

Z550 9" DIAMETER MEDIUM-DUTY DRAIN



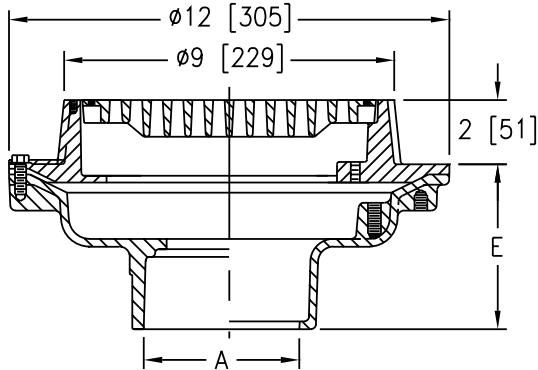
ENGINEERING SPECIFICATION

Zurn Z550 9" diameter top drain features Dura-Coated cast iron body with bottom outlet, seepage pan, and combination membrane flashing clamp and frame for medium-duty cast iron, heel-proof, slotted grate.

NOTES

*Add 3/16" to 2" dimension and 3/4" to 9" dimension for ZB and ZN

A Pipe Size inch [mm]	Grate Open Area sq in [cm ²]	Approximate Weight lb [kg]
2 [51], 3 [76], 4 [102]	18 [116]	28 [13]
6 [152]		30 [14]



PREFIXES	DESCRIPTION	PIPE SIZE	LIST PRICE
Z550*	D.C.C.I. Body and Top	2", 3", 4"	509.00
		6"	646.00
ZB550	D.C.C.I. Body with Polished Bronze Top	2", 3", 4"	944.00
		6"	1,085.00
ZN550	D.C.C.I. Body with Polished Nickel Bronze Top	2", 3", 4"	1,045.00
		6"	1,180.00

OUTLETS (SPECIFY PIPE SIZE IN INCHES AND TYPE OF OUTLET)				
OUTLET TYPE		PIPE SIZE/OUTLET TYPE	E BODY HT. DIM.	ADD
IC	Inside Caulk	3IC, 4IC	3-3/4"	N/C
IG	Inside Gasket	3IG, 4IG	3-3/4"	N/C
IP	Threaded	3IP, 4IP	2-3/4"	80.00
NH	No-Hub	2NH, 3NH, 4NH	4-3/4"	N/C
		6NH	5-1/4"	N/C
NL	Neo-Loc	2NL, 3NL, 4NL	3-1/2"	N/C

SUFFIXES		ADD	
-AR	Acid Resisting Epoxy Coated Cast Iron	501.00	
-D	Dome Grate	Z	84.00
		ZB	290.00
		ZN	368.00
-DG	Duresist Grate	194.00	
-G	Galvanized Cast Iron	428.00	
-P	Trap Primer Connection	150.00	
-S	Secondary Strainer	47.00	
-SS	Stainless Mesh Liner for Bucket	290.00	
Ⓢ -TC	Neo-Loc Test Cap Gasket (2", 3", 4" NL Bottom Outlet Only)	24.00	
-TG	Tractor Grate	140.00	
-TS	Top Secured with Slotted Screws	129.00	
-TSP	Trap Seal Protection Device (Size Matches Drain Outlet Selected, See Z1072)	POA	
-VP	Vandal-Proof Secured Top	149.00	
-Y	Sediment Bucket	140.00	
-90	90° Threaded Side Outlet Body Assembly (3", 4")	339.00	

BEST SELLERS	LIST PRICE
Z550-3NH	509.00
Z550-3NH-Y	649.00
Z550-3NL	509.00
Z550-3NL-P	659.00
Z550-3NL-P-Y	799.00
Z550-3NL-Y	649.00
Z550-4NH	509.00
Z550-4NH-P	659.00
Z550-4NH-P-Y	799.00
Z550-4NH-Y	649.00
Z550-4NL	509.00
Z550-4NL-P	659.00
Z550-4NL-Y	649.00